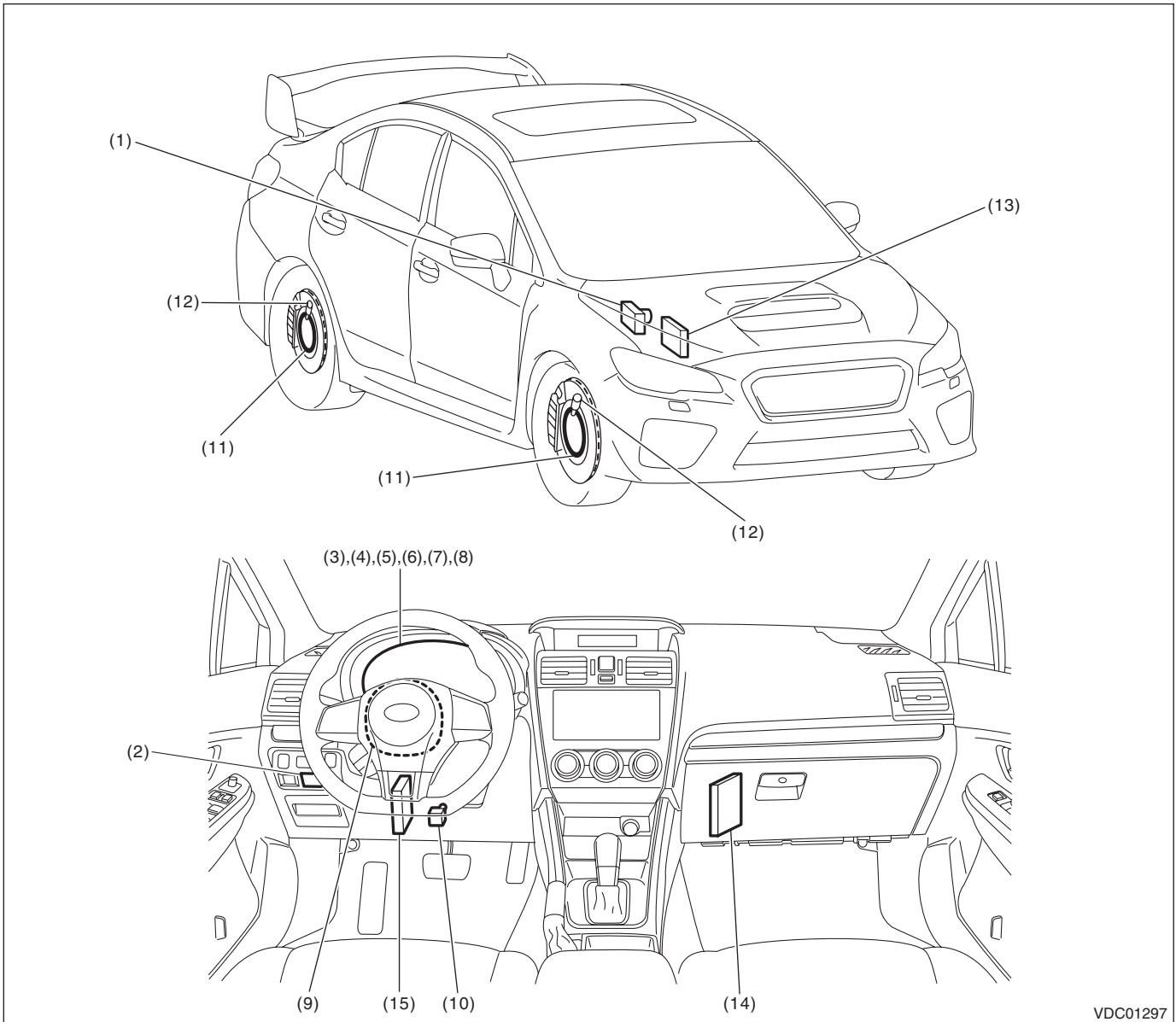


Electrical Component Location

VEHICLE DYNAMICS CONTROL (VDC) (DIAGNOSTICS)

4. Electrical Component Location

A: LOCATION



VDC01297

- | | | |
|---|---------------------------------------|---|
| (1) VDC control module and hydraulic control unit (VDCCM&H/U) | (6) VDC OFF indicator light | (11) Magnetic encoder |
| (2) VDC OFF switch | (7) Hill start assist warning light | (12) ABS wheel speed sensor |
| (3) ABS warning light | (8) VDC traction mode indicator light | (13) Engine control module (ECM) (except for STI) |
| (4) Brake warning light (EBD warning light) | (9) Steering angle sensor | (14) Engine control module (ECM) (STI model) |
| (5) VDC warning light & VDC indicator light | (10) Stop light and brake switch | (15) Transmission control module (TCM) |

Electrical Component Location

VEHICLE DYNAMICS CONTROL (VDC) (DIAGNOSTICS)

